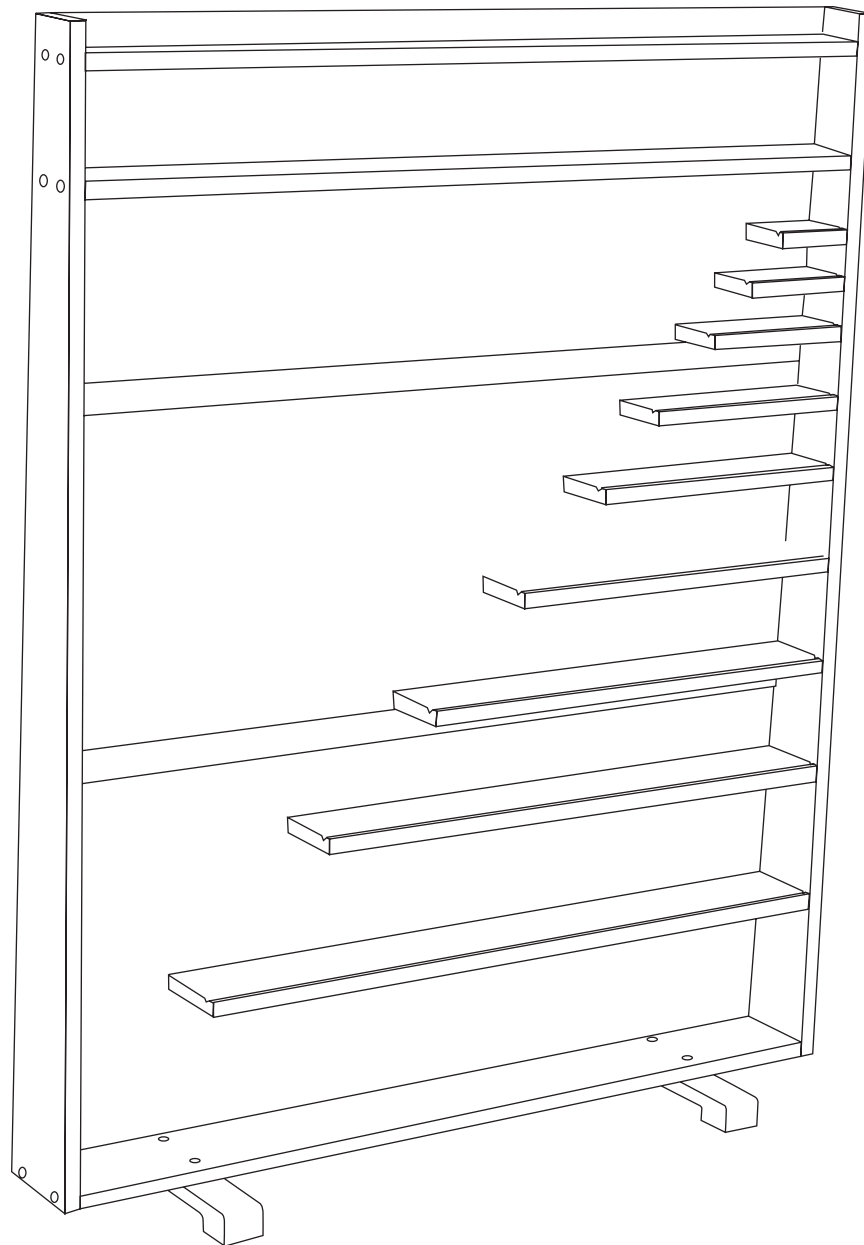
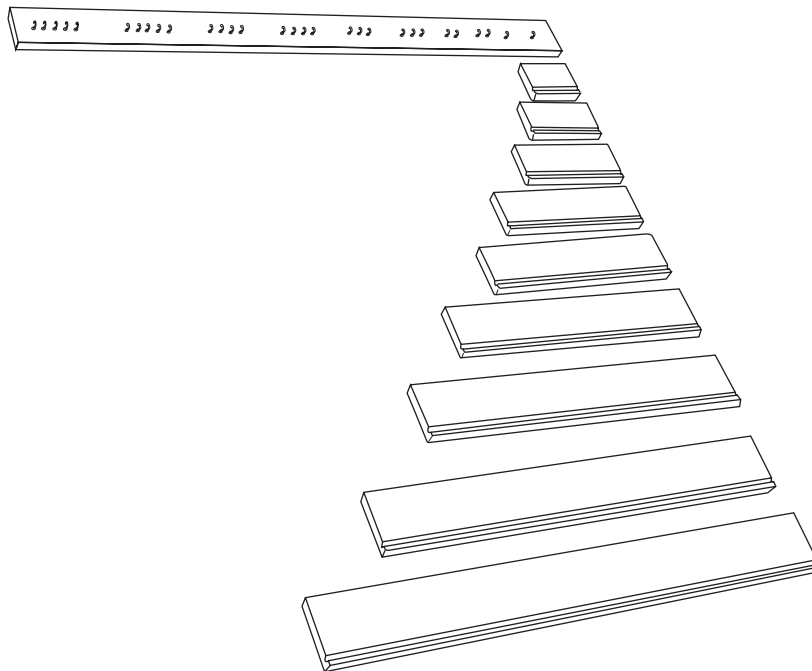
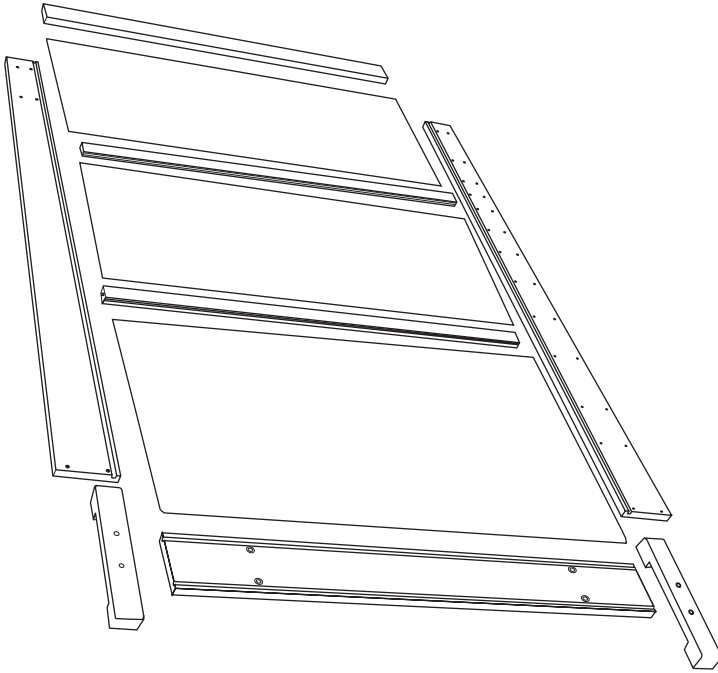


Bead Cabinet assembly instructions



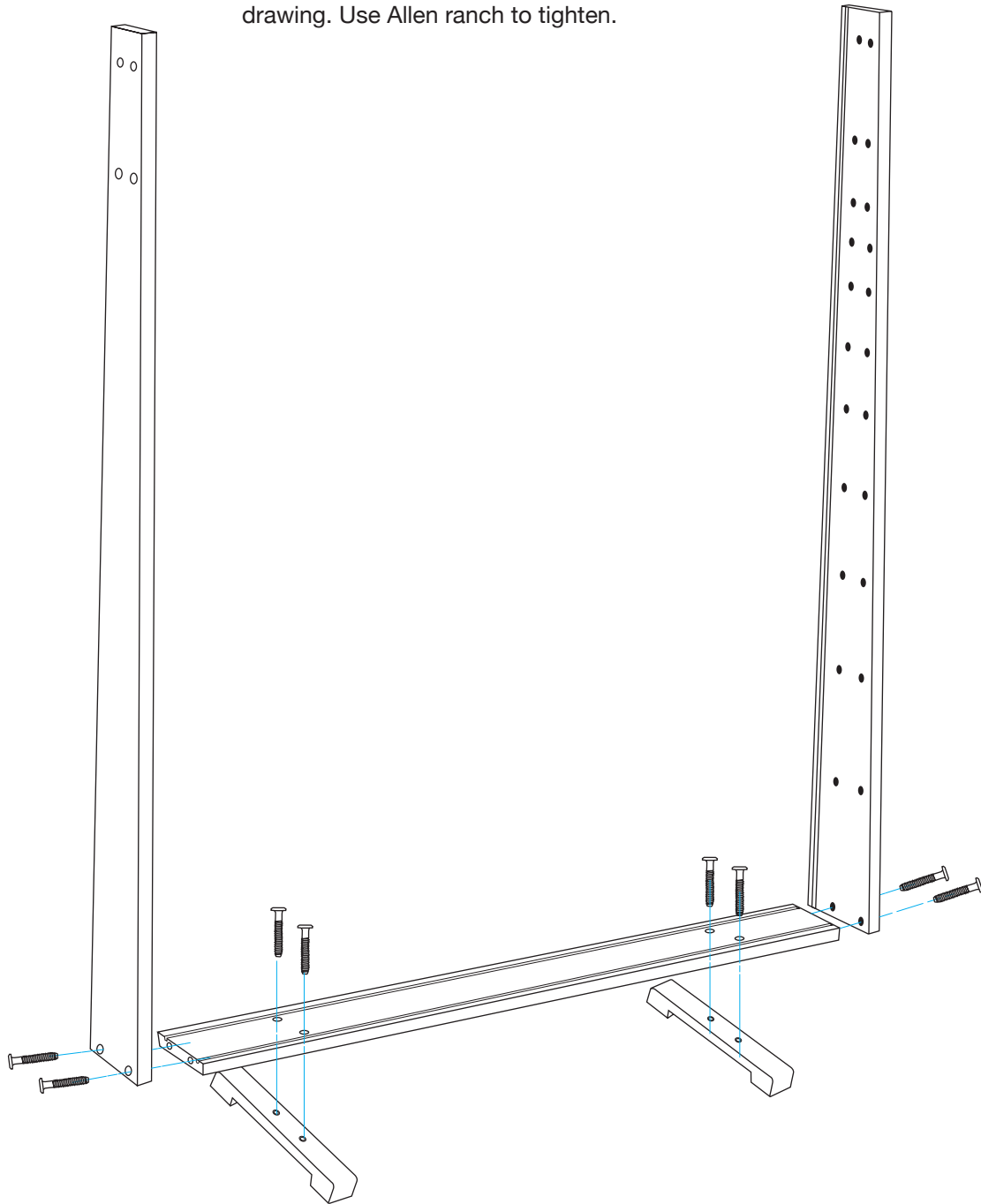
Bead Cabinet assembly instructions



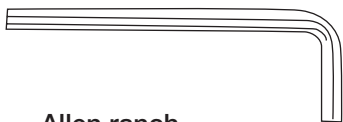
Parts in the package for Bead Cabinet.

Bead Cabinet assembly instructions

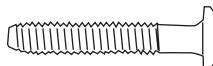
Attach Base panels with side panels and foot pedestal with bolts as shown in the drawing. Use Allen ranch to tighten.



Tools & accessories required



Allen ranch



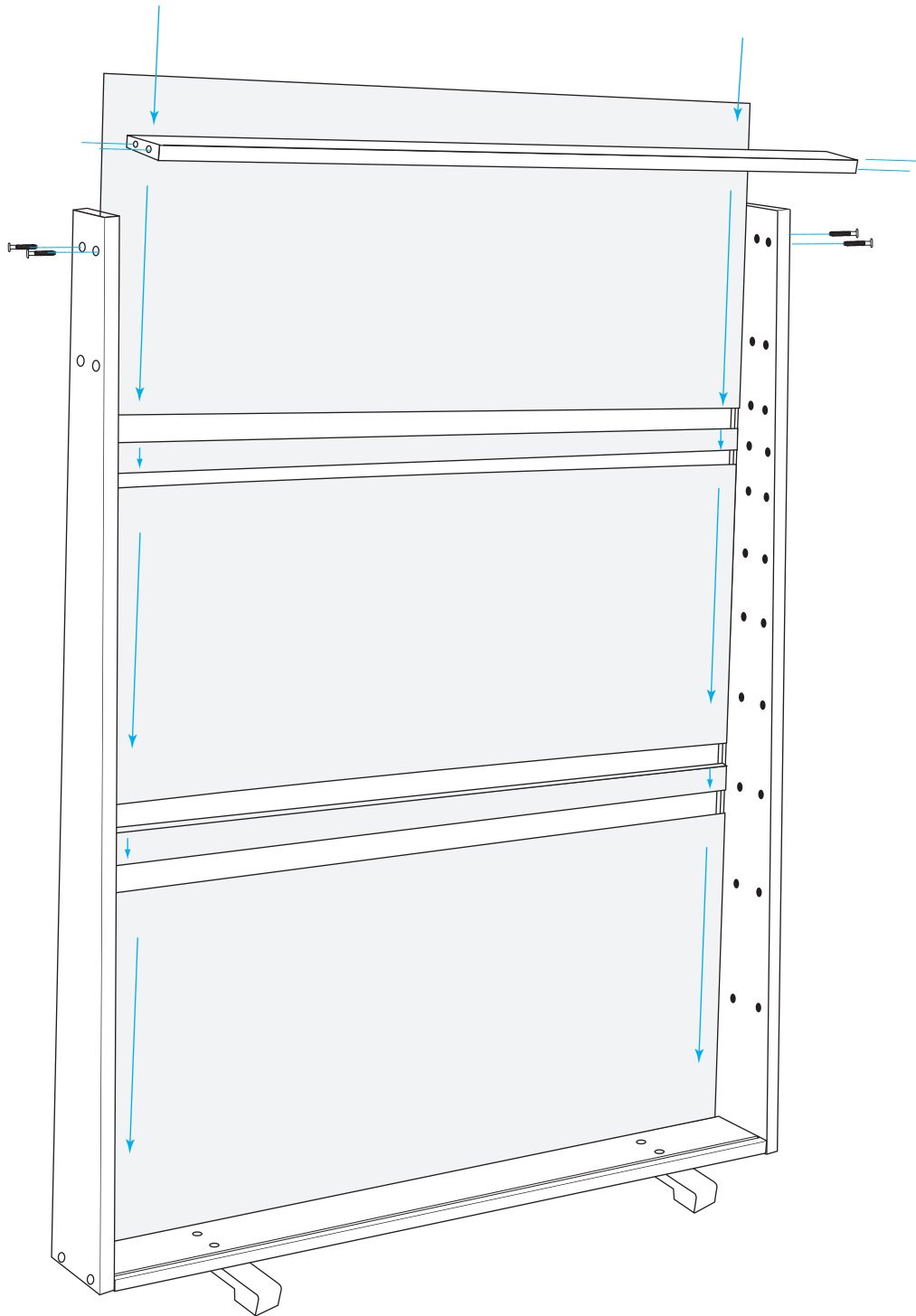
Bolt



Small Screw

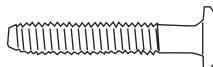


Bead Cabinet assembly instructions

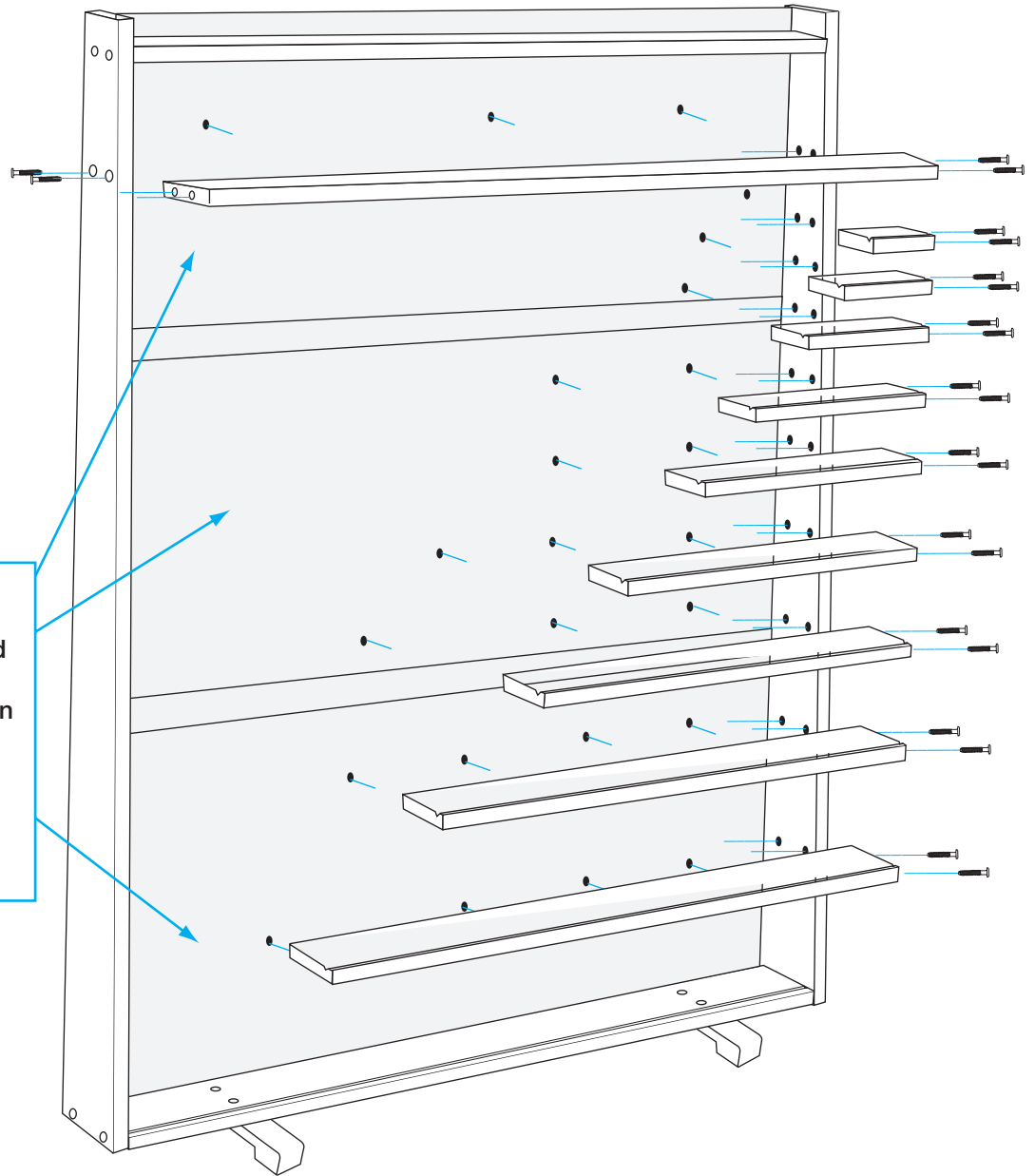


Slide Back panels and dividers through the grooves of both sides and base panels. Attach bolts with Allen ranch.

Tools & accessories required

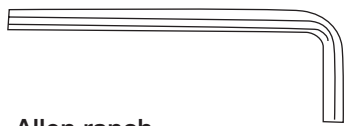


Bead Cabinet assembly instructions

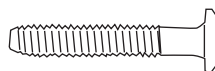



Small screws to be used to fasten the shelves from the back of wooden panel.

Tools & accessories required



Allen ranch



Bolt



Small Screw

Screwdriver (not included)

