

BACK PANELS

LEFT PANEL

RIGHT PANEL

TOP SHELF

MID SHELF

Double groove

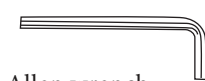
Single groove

Bottom shelf , Base support and cartwheels are installed and ready to use.

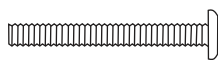
Underside of the base board with cartwheels installed.

Lay down all the parts on a carpeted floor. Identify the parts as shown on the drawing. Keep all the necessary tools handy. Follow the installation instructions.

Accessories & Tools required



Allen wrench



Long Silver Allen Bolt-Qt-12



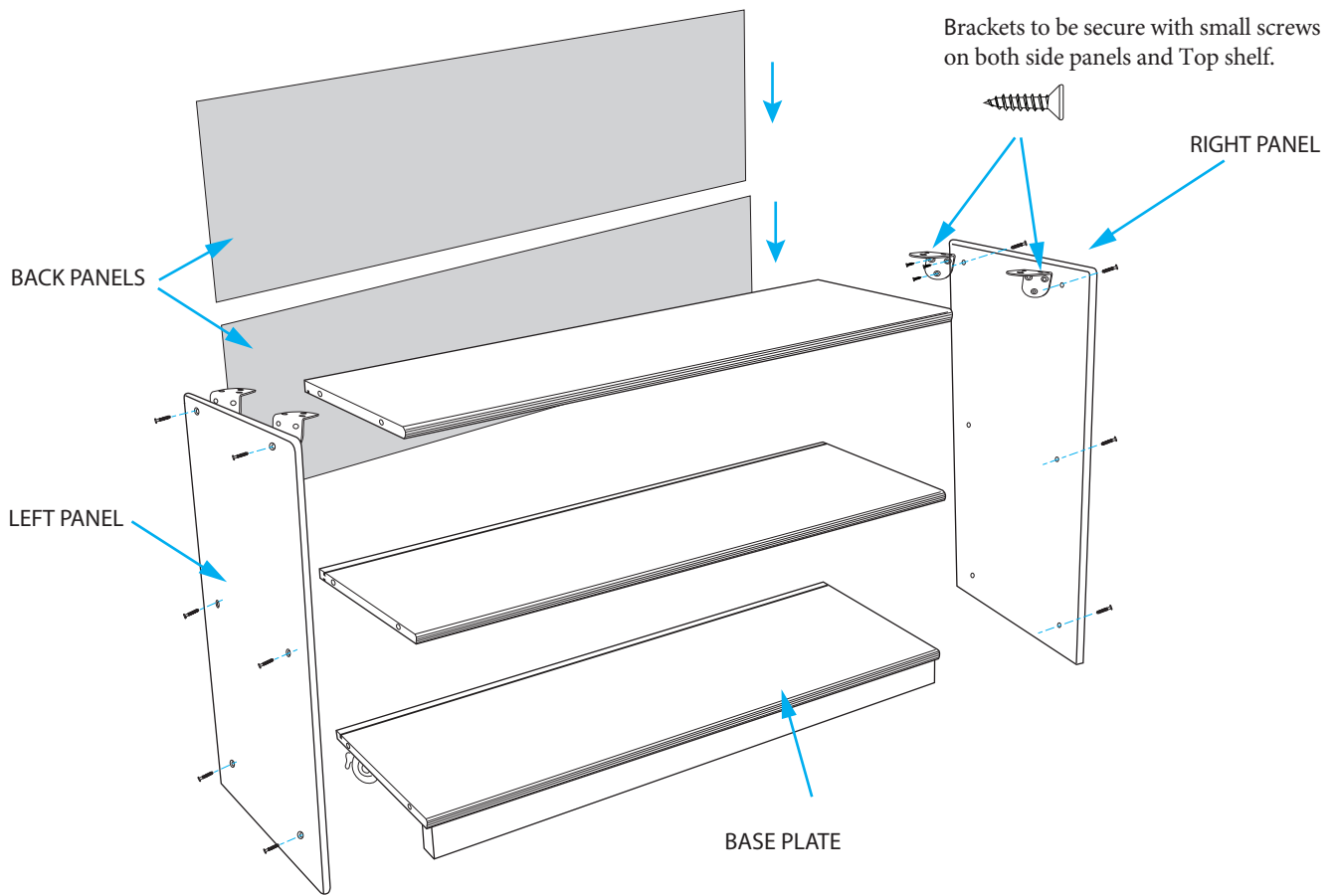
Small flat-head screw QT-24



Aluminum bracket Qty- 4



F62 Three-Tier Open Shelf (With Back Panel)



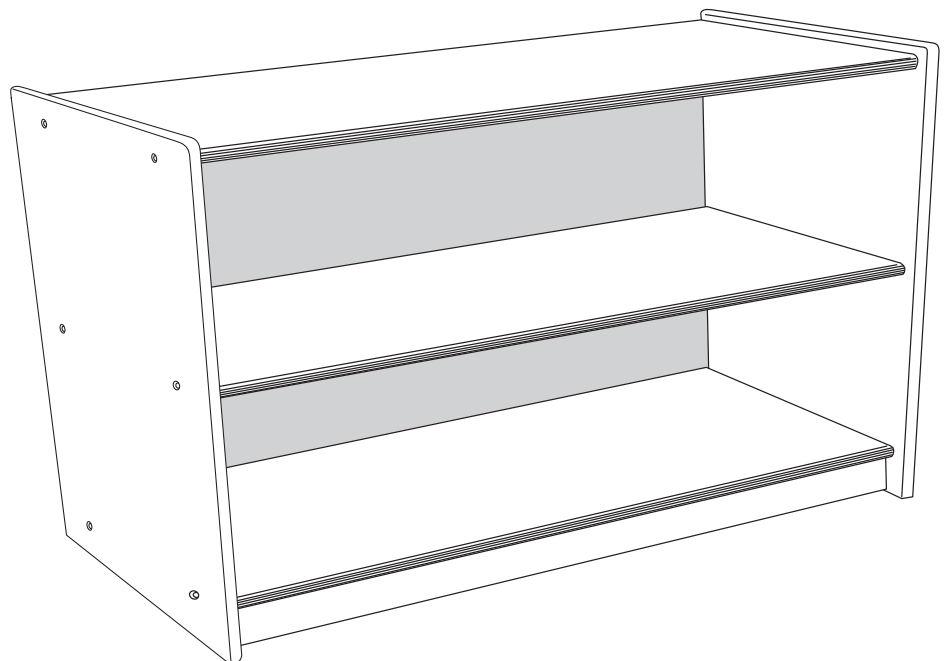
**Step 1:** Install two side panels, right and left on both side of Base Plate with Silver Bolts.

**Step 2:** Install Bottom Back Panel in the grooves.

**Step 3:** Install Middle shelf as shown with Silver Bolts.

**Step 4:** Insert Top back panels on the groove.

**Step 5:** Install the top shelf as shown with Silver Bolts.



**Complete installation view**