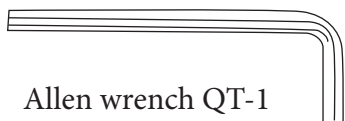
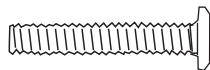


Unpack the box and check the parts and accessories prior installation.
Place all wooden parts on carpeted area to avoid damage or scratch on surface.

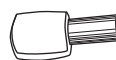
Accessories & Tools required:



Allen wrench QT-1



Black Bolt QT-12



Peg Qt - 4



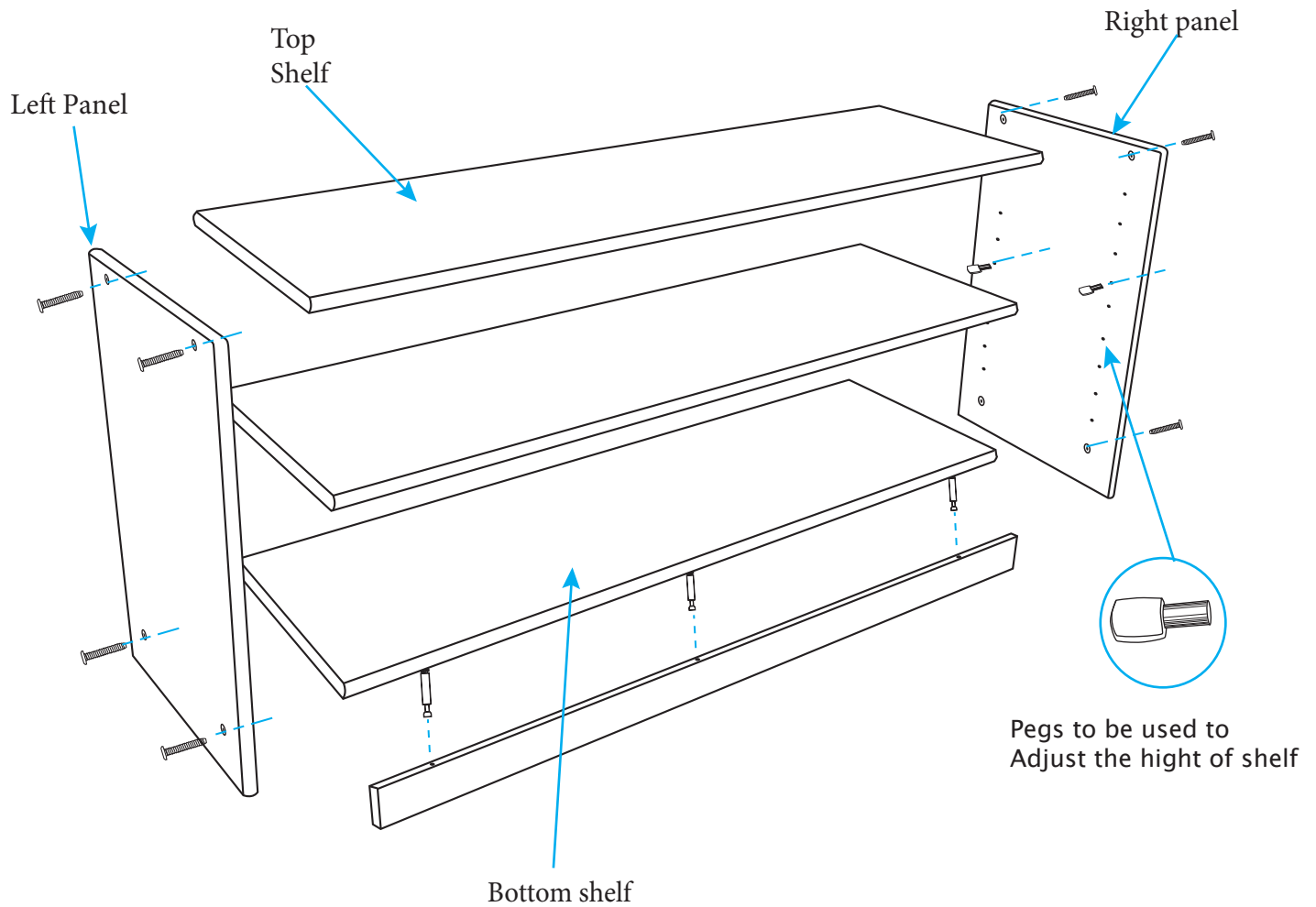
QT-6



QT-6

Toggle nut and bolt





Step 1: Assemble base support with Base Plate as shown with Toggle nuts and bolts provided. Toggle bolts to be screwed in the bottom side holes of Base Plate.

Step 2: Install two side panels, right and left on both side of Base Plate with Black Bolts.

Step 3: Install the top shelf as shown with Black Bolts.

Step 4: Install Middle shelf placing the pegs in desired height.

