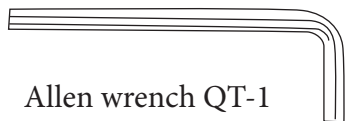


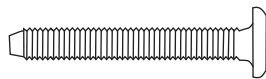
Unpack the box and check the parts and accessories prior installation.
Place all wooden parts on carpeted area to avoid damage or scratch on surface.

Step 1: Assemble base support with Base Plate as shown with Toggle nuts and bolts provided. Toggle bolts to be screwed in the bottom side holes of Base Plate.

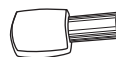
Accessories & Tools required:



Allen wrench QT-1



Black Bolt Qty-8



Peg Qt - 8



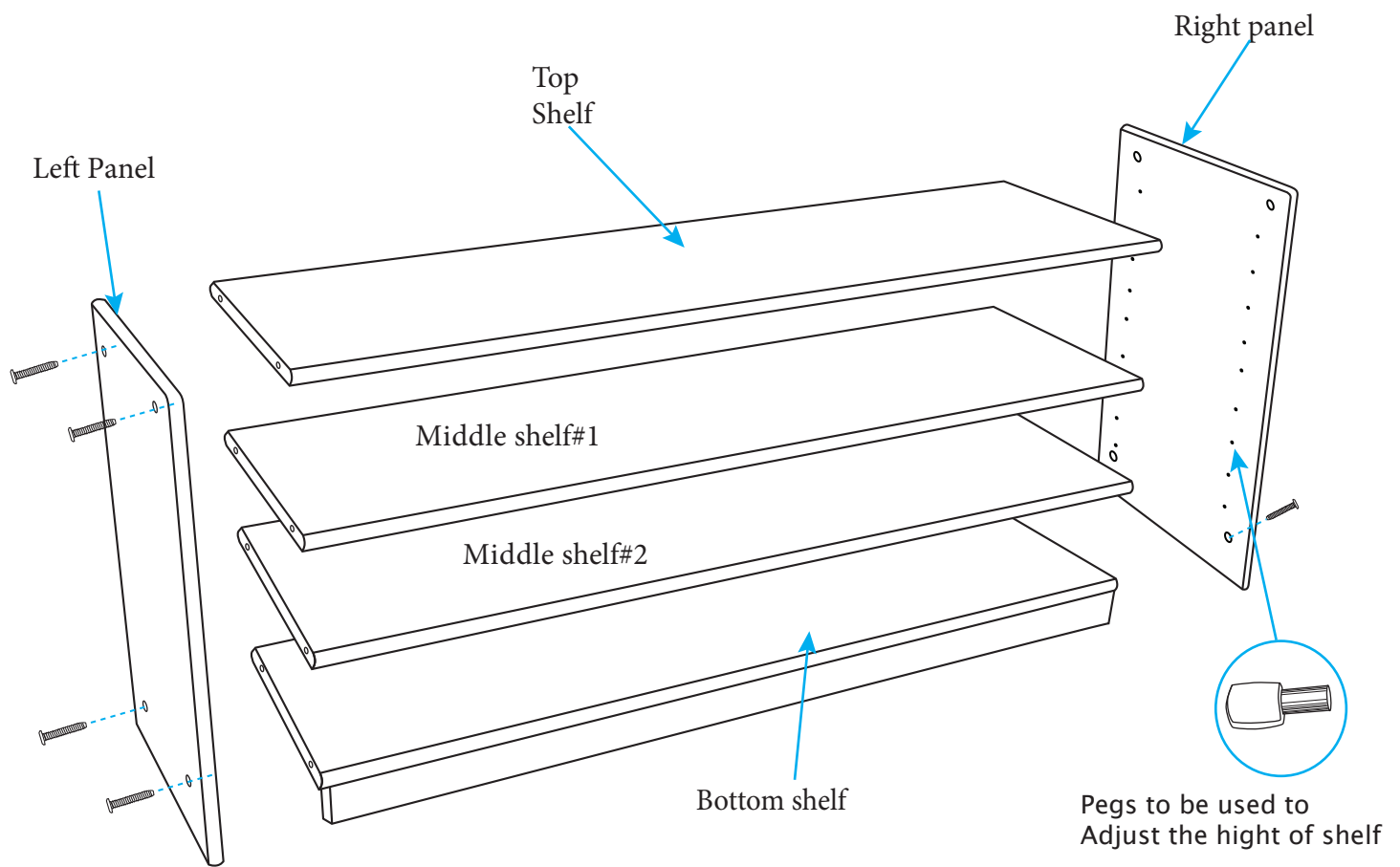
QT-3



QT-3

Toggle nut and bolt





Step 2: Install two side panels, right and left on both side of Base Plate with Black Bolts.

Step 3: Install the top shelf as shown with Black Bolts.

Step 4: Install Middle shelves placing the pegs in desired height.

